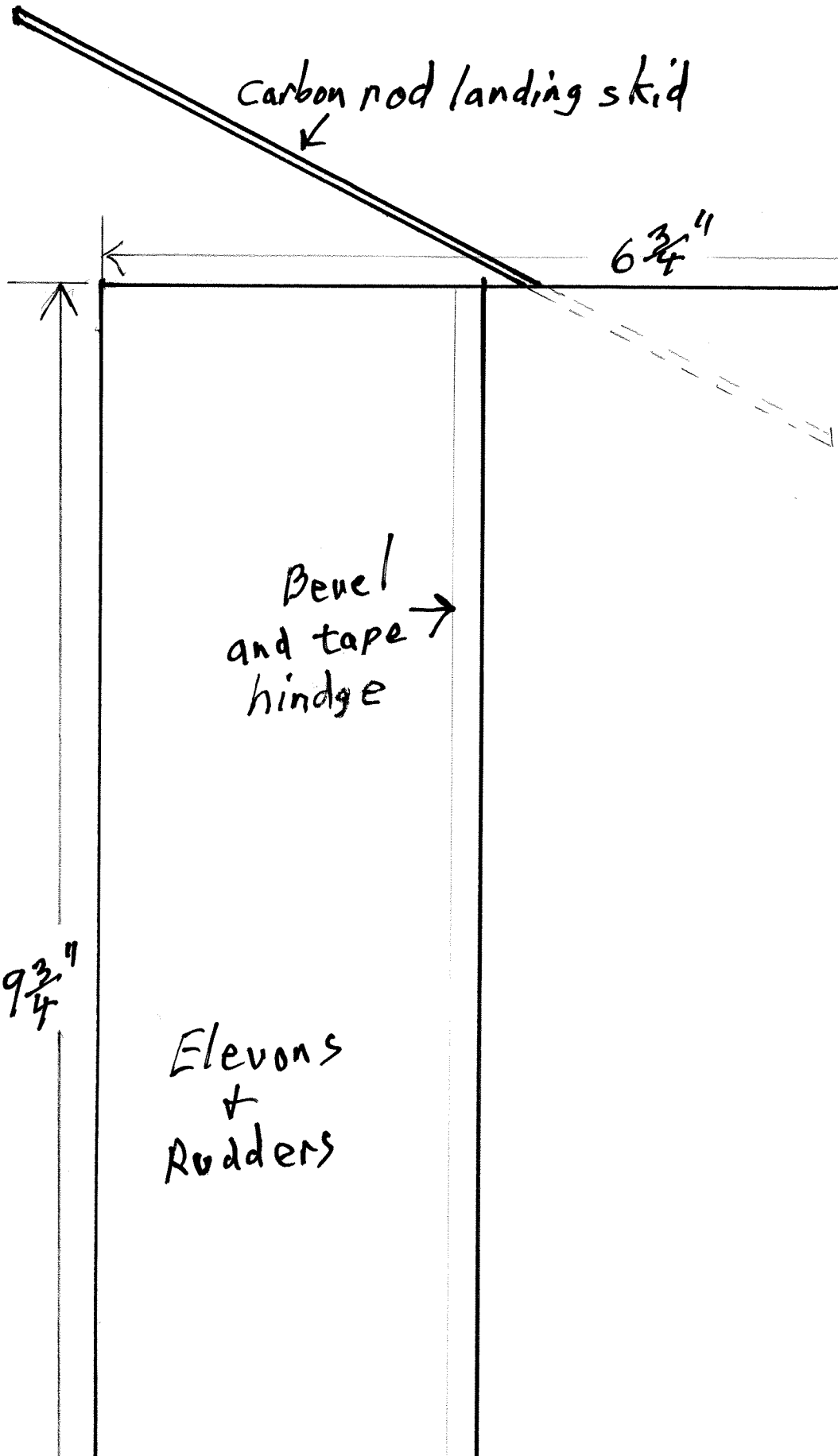
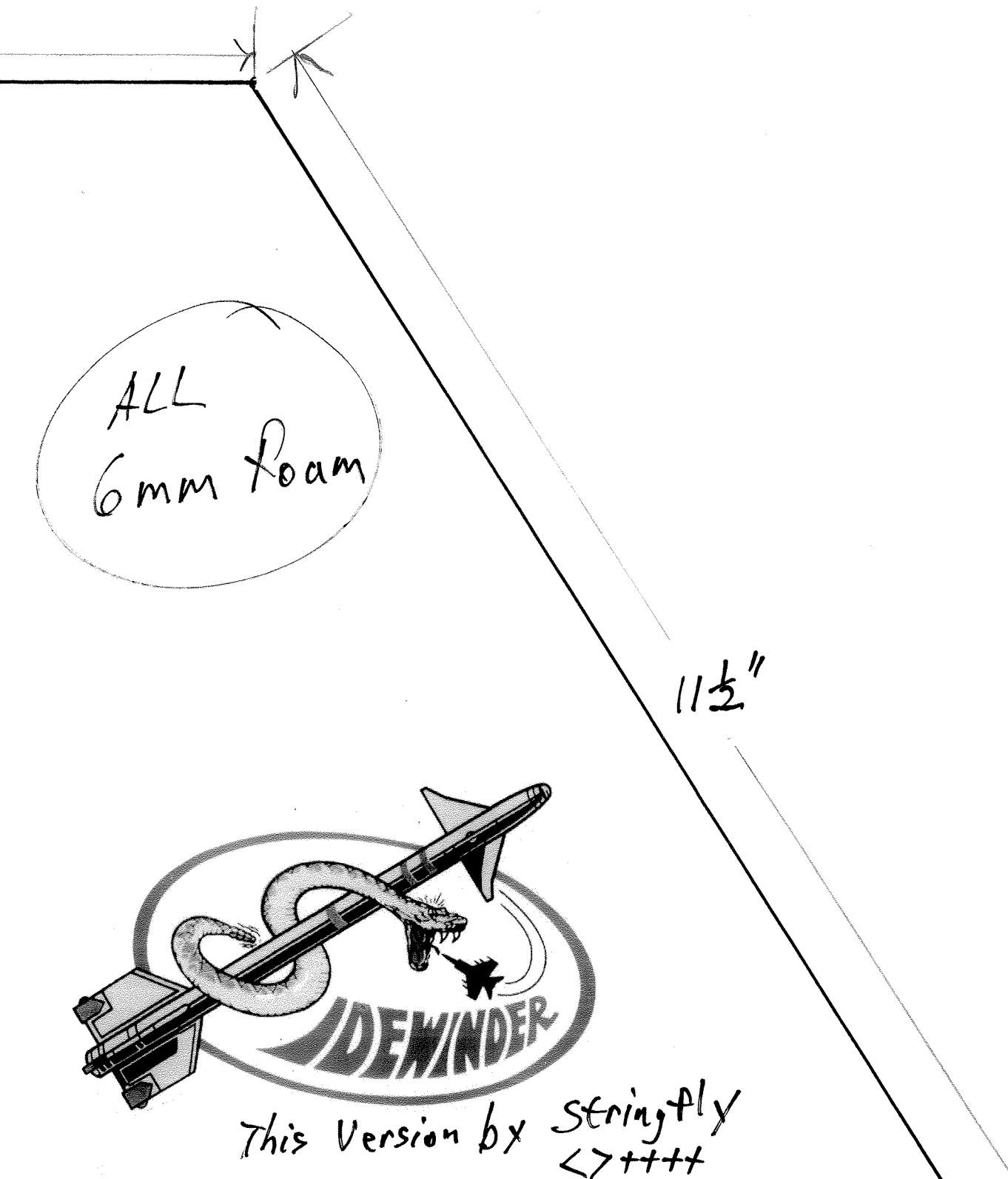


①



2



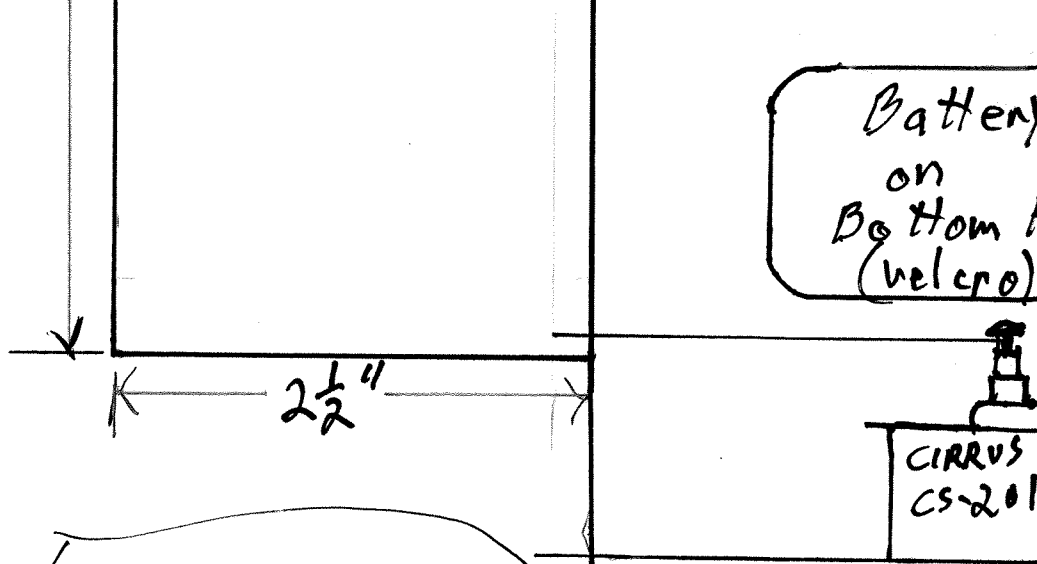
ALL
6mm Foam

11 1/2"

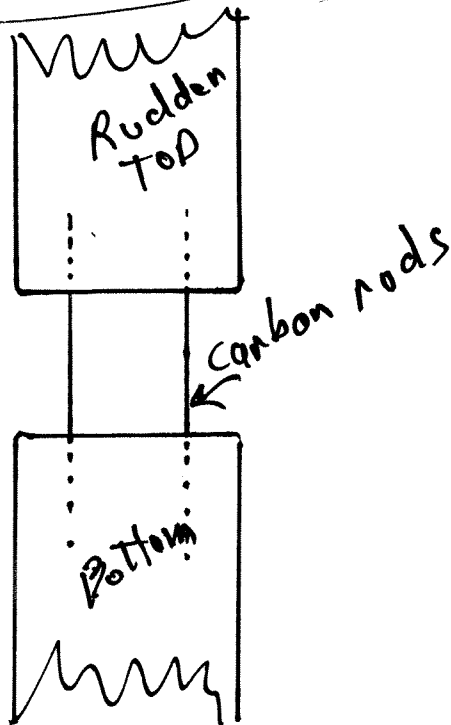


This Version by stringfly
<7++++

3

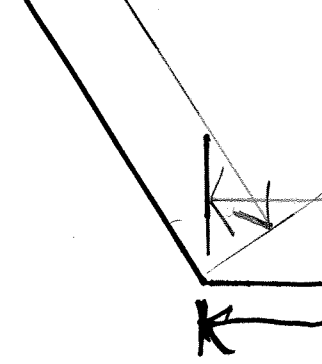


1 - rudder servo
Join rudders
with 2 carbon rods.



in

1/2 profile



Rec.



4

5

C/G (starting point)



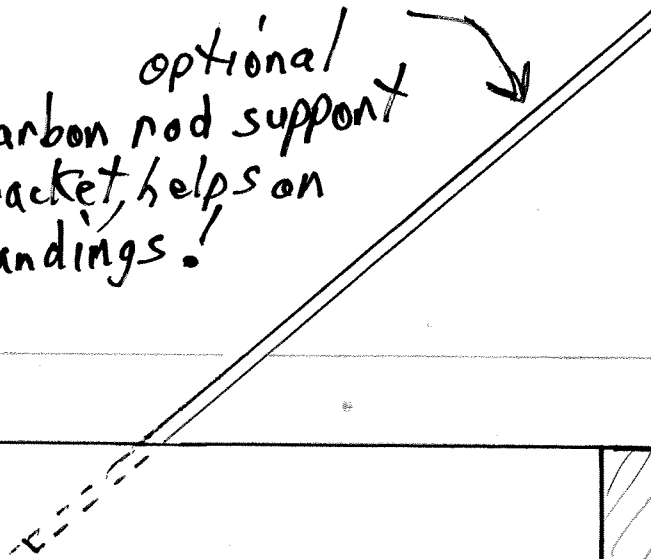
18 1/2"

1 3/4" →

(1/2 width) 1 1/2"
(3/4 total)

6

optional
carbon rod support
bracket, helps on
non vertical landings!



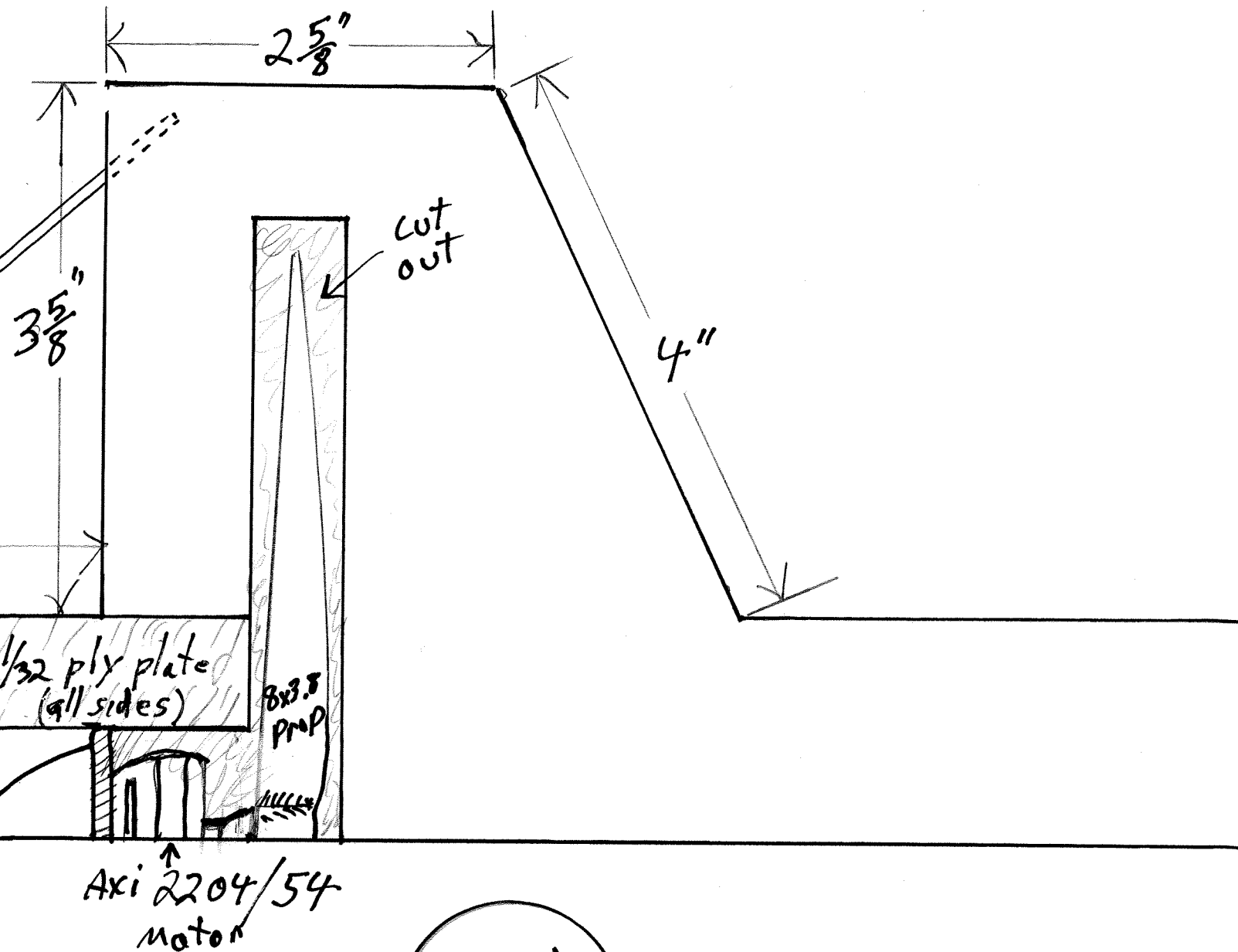
Extension to Rec.

Speed
Control

6mm depron
support at 45°
to 90° pieces



7



$\frac{1}{8}$ lite ply motor mount

Epoxy in cutout

8

